

EXMB.029 Ceiling Mount Brackets

www.boschsecurity.com



BOSCH
Invented for life

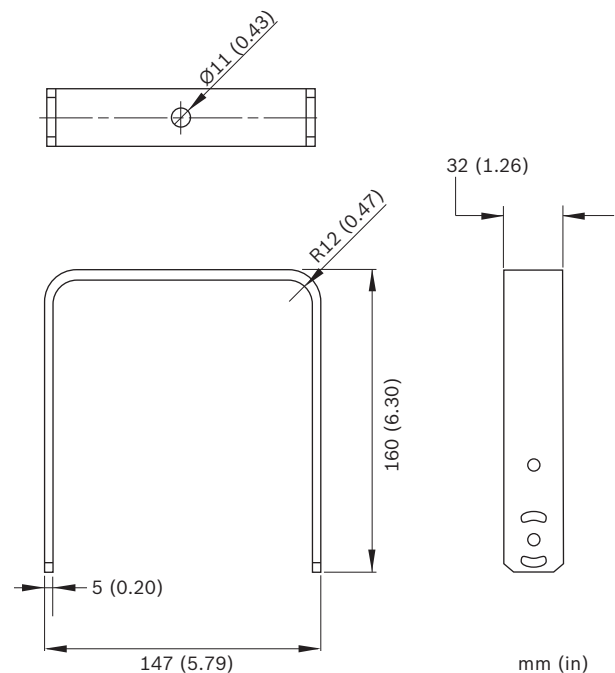


- ▶ Made of thick cast aluminum
- ▶ Pan/tilt adjustable camera platform
- ▶ Designed for secure ceiling mount applications
- ▶ Lightweight design

Ceiling mount bracket designed for ceiling mount applications. The thick cast aluminum is extremely durable and tough, and has a versatile design that enables compatibility with the REG-L1 License Plate Capture Camera and infrared imagers. The bracket weighs only 0.19 kg (0.41 lb) with a maximum load of 10 kg (22 lb) and is pan/tilt adjustable for fast and easy installations.

Installation/configuration notes

Dimensions



Technical specifications

| | |
|--------------|-------------------|
| Construction | Cast aluminum |
| Finish | Black or white |
| Weight | 0.19 kg (0.41 lb) |
| Maximum load | 0.10 kg (0.22 lb) |
| Maximum tilt | 20° from vertical |

Ordering information

EXMB.029W Ceiling Mount Bracket

Ceiling Mount Bracket, white

Order number **EXMB.029W**

EXMB.029B Ceiling Mount Bracket

Ceiling Mount Bracket, Black

Order number **EXMB.029B**

Represented by:

Americas:

Bosch Security Systems, Inc.
130 Perinton Parkway
Fairport, New York, 14450, USA
Phone: +1 800 289 0096
Fax: +1 585 223 9180
security.sales@us.bosch.com
www.boschsecurity.us

Europe, Middle East, Africa:

Bosch Security Systems B.V.
P.O. Box 80002
5617 BA Eindhoven, The Netherlands
Phone: + 31 40 2577 284
Fax: +31 40 2577 330
emea.securitysystems@bosch.com
www.boschsecurity.com

Asia-Pacific:

Robert Bosch (SEA) Pte Ltd, Security
Systems
11 Bishan Street 21
Singapore 573943
Phone: +65 6571 2808
Fax: +65 6571 2699
apr.securitysystems@bosch.com
www.boschsecurity.asia

China:

Bosch (Shanghai) Security Systems Ltd.
201 Building, No. 333 Fuquan Road
North IBP
Changning District, Shanghai
200335 China
Phone +86 21 22181111
Fax: +86 21 22182398
www.boschsecurity.com.cn

America Latina:

Robert Bosch Ltda Security Systems Division
Via Anhanguera, Km 98
CEP 13065-900
Campinas, Sao Paulo, Brazil
Phone: +55 19 2103 2860
Fax: +55 19 2103 2862
latam.boschsecurity@bosch.com
www.boschsecurity.com