

Indoor Color Dome Camera PAL

www.boschsecurity.com



BOSCH
Invented for life



- ▶ Excellent resolution (700 TVL)
- ▶ Clean images under variable light
- ▶ Easy install

The VDC-231 camera is a compact, stylish surveillance dome that offers excellent resolution in variable lighting conditions. The high performance 1/3-inch CCD camera is available with a 3.6 mm fixed lens. The camera is easy to install and can be adjusted around 3 axes. Privacy zones and motion detection functions can be set up in the handy camera menu system.

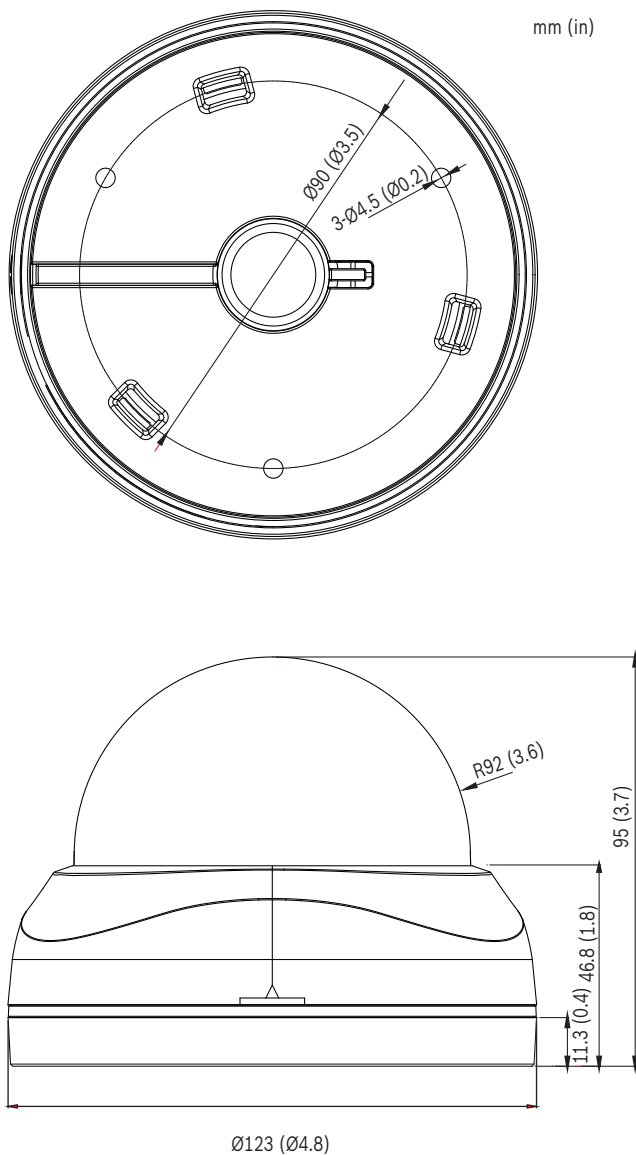
Region	Certification	
Europe	CE	VDx 231_VDI261

Certifications and approvals

Standards

FCC Part 15:2013
EN61000-3-2:2014
EN61000-3-3:2013
EN55024:2010
EN50130-4:2011
EN55022:2010
EN60950-1:2006 + A11:2009 + A1:2010 + A12:2011 + A2:2013

Installation/configuration notes



Technical specifications

System	PAL
Effective pixels (H x V)	752 x 582
Image Sensor	1/3-inch High sensitivity CCD
Video Output	Composite: 1 Vpp, 75 Ohm
Sync. System	Internal sync.
S/N Ratio (sharpness, AGC off)	50 dB min.
Horizontal resolution	700 TVL sensor resolution
Minimum Illumination (F2.0, 30IRE, AGC max.)	0.15 lx (color)
ESC	1/50(60) – 1/120,000

Manual Shutter	1/50(60), 1/100(120), 1/250, 1/500, 1/700, 1/1k, 1/1.6K, 1/2.5K, 1/5K, 1/7K, 1/10K, 1/30K, 1/60K, 1/120K
DNR	Off, Low, Middle, High
White Balance	ATW, Manual, Push
SBLC	Off, Low, Middle, High
AGC	On, Off
Day/Night	Auto, Color, B/W, Ext.
Burst	On, Off
Motion detection	On, Off (4 programmable zones)
Privacy	On, Off (4 programmable zones)
Mirror	On (horizontal), Off
Sharpness	1 - 20
Gamma	0.35, 0.45, 0.6, 0.75
OSD language	English, Chinese
Lens type	3.6 mm, fixed, manual lens
Supply Voltage	12 VDC (±10%)
Power Consumption	3.6 W max. / 0.3 A
Operating Temperature	-10 °C to +50 °C (14 °F to +122 °F)
Operating Humidity	30% to 80% RH
Storage Temperature	-20 °C to +60 °C (-4 °F to +140 °F)
Storage Humidity	20% to 90% RH

Ordering information

Indoor Color Dome Camera PAL

Compact analog dome surveillance camera with excellent resolution in varying light. 12VDC; 3.6 mm fixed lens; 700 TVL; PAL
 Order number **VDC-231F04-10**

Accessories

VDA-WMT-AIDOME Indoor Wall Mount

Indoor wall mount
 Order number **VDA-WMT-AIDOME**

VDA-PMT-AIDOME Indoor Pipe Mount

Indoor pendant pipe mount for dome cameras (use together with the appropriate adapter bracket)
 Order number **VDA-PMT-AIDOME**

VDA-CMT-PTZDOME Corner Mount Adapter

Corner mount adapter for use with the appropriate wall mount to attach a camera onto an indoor or outdoor pole (mast)
 Order number **VDA-CMT-PTZDOME**

LTC 9213/01 Pole Mount Adapter

Flexible pole mount adapter for camera mounts (use together with the appropriate wall mount bracket).
Max. 9 kg (20 lb); 3 to 15 inch diameter pole; stainless steel straps
Order number **LTC 9213/01**

Represented by:

North America:

Bosch Security Systems, Inc.
130 Perinton Parkway
Fairport, New York, 14450, USA
Phone: +1 800 289 0096
Fax: +1 585 223 9180
security.sales@us.bosch.com
www.boschsecurity.us

Europe, Middle East, Africa:

Bosch Security Systems B.V.
P.O. Box 80002
5617 BA Eindhoven, The Netherlands
Phone: + 31 40 2577 284
Fax: +31 40 2577 330
emea.securitysystems@bosch.com
www.boschsecurity.com

Asia-Pacific:

Robert Bosch (SEA) Pte Ltd, Security Systems
11 Bishan Street 21
Singapore 573943
Phone: +65 6571 2808
Fax: +65 6571 2699
apr.securitysystems@bosch.com
www.boschsecurity.asia

China:

Bosch (Shanghai) Security Systems Ltd.
203 Building, No. 333 Fuquan Road
North IBP
Changning District, Shanghai
200335 China
Phone +86 21 22181111
Fax: +86 21 22182398
www.boschsecurity.com.cn

Latin America and Caribbean:

Robert Bosch Ltda Security Systems Division
Via Anhanguera, Km 98
CEP 13065-900
Campinas, Sao Paulo, Brazil
Phone: +55 19 2103 2860
Fax: +55 19 2103 2862
latam.boschsecurity@bosch.com
www.boschsecurity.com